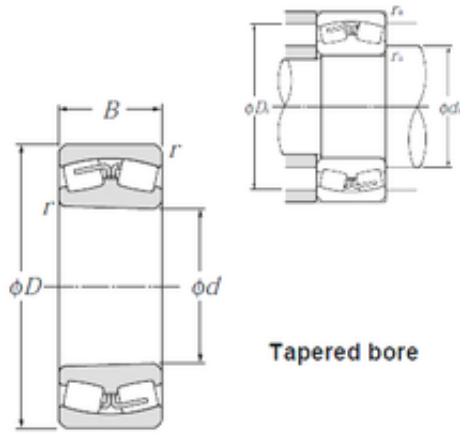




23088BK NTN Spherical Roller Bearings



Bearing No. 23088BK

23088BK Bearing 2D drawings and 3D CAD models

Size	440x650x157 mm
Bore Diameter	440 mm
Outer Diameter	650 mm
Width	157 mm
d	440 mm
D	650 mm
B	157 mm
C	157 mm
r min.	6 mm
da min.	468 mm
Da max.	622 mm
ra max.	5 mm
Weight	175 Kg
Basic dynamic load rating (C)	3 300 kN
Basic static load rating (C0)	6 850 kN
(Grease) Lubrication Speed	470 r/min
(Oil) Lubrication Speed	610 r/min
Calculation factor (e)	0,24
Calculation factor (Y0)	2,78
Calculation factor (Y1)	2,85