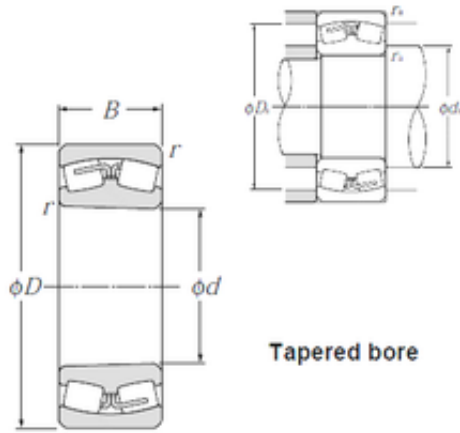




**21322K NTN Spherical Roller Bearings**



Bearing No. 21322K

Size	110x240x50 mm
Bore Diameter	110 mm
Outer Diameter	240 mm
Width	50 mm
d	110 mm
D	240 mm
B	50 mm
C	50 mm
r min.	3 mm
da min.	124 mm
Da max.	226 mm
ra max.	2,5 mm
Weight	11,1 Kg
Basic dynamic load rating (C)	495 kN
Basic static load rating (C0)	615 kN
(Grease) Lubrication Speed	1 800 r/min
(Oil) Lubrication Speed	2 300 r/min
Calculation factor (e)	0,21
Calculation factor (Y0)	3,13
Calculation factor (Y1)	3,2

21322K Bearing 2D drawings and 3D CAD models